

DeSite SLG 48 Mini

Designed & Purpose Built

- Sub Compact Tractors
- Mini Skidsteers
- Stand on Skidsteers

MSRP

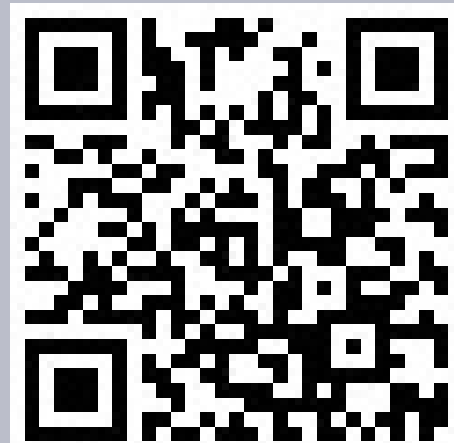
\$2495

Shipped!



(877) 254-7903

topsoilscreeningequipment.com



The DeSite SLG 48 Sub Compact Mini Screeners Are Here.

This compact portable screener has been designed and purpose built for the sub compact market.

DeSite now offers this sub compact screener for both commercial and residential use.

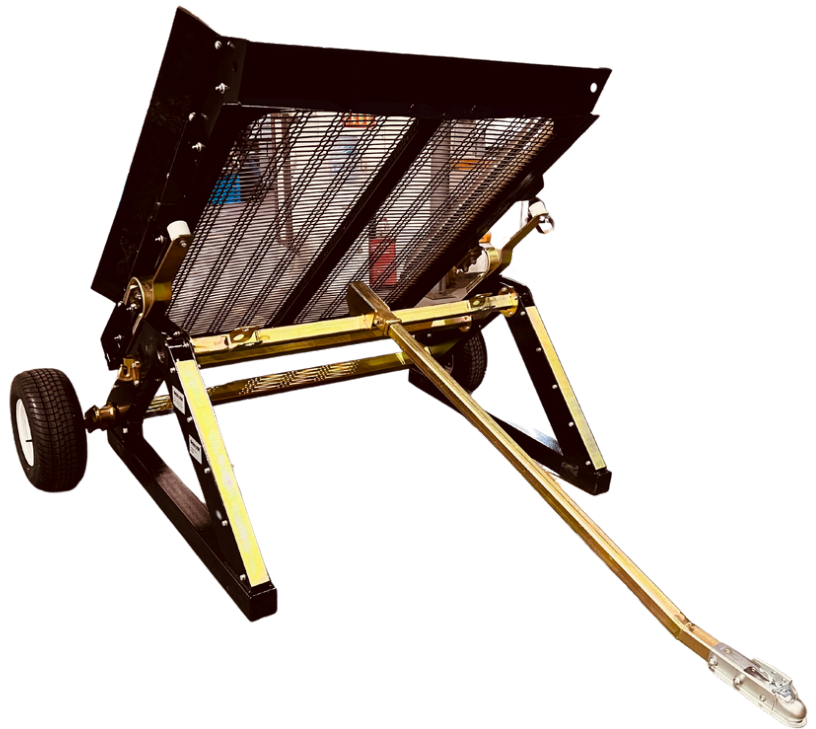
Designed to be fed with sub compact tractors, mini excavators, and stand on mini skid steers.

We offer multiple mesh sizes from 1/8 to 4"

10 sizes available depending upon what the customer is screening.

DeSite SLG 48 Mini can screen and recycle:

- Sand
- Topsoil
- Gravels
- Compost
- Pea Stone
- Wood Mulch
- Septic Gravel
- Ground Asphalt
- Crushed Concrete



Take advantage now of this unmatched pricing opportunity. With tens of thousands of sub compact mini sold every year this will be a must have for owner of sub compact equipment.

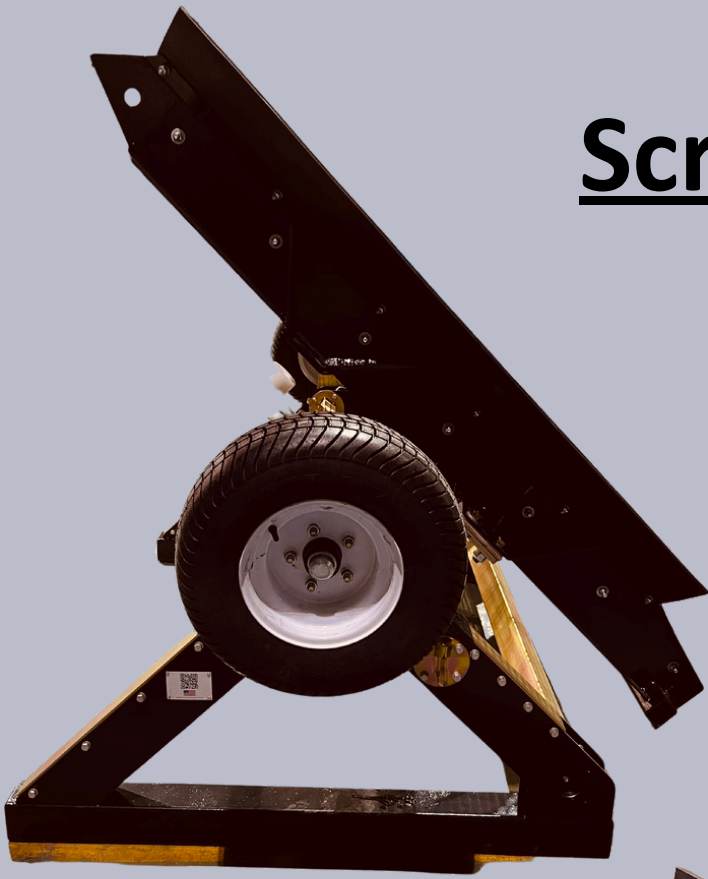
Give Me A Call
(877) 254-7903

Brad Hilmoe

bhidm@outlook.com



Screener Weight 800 lbs

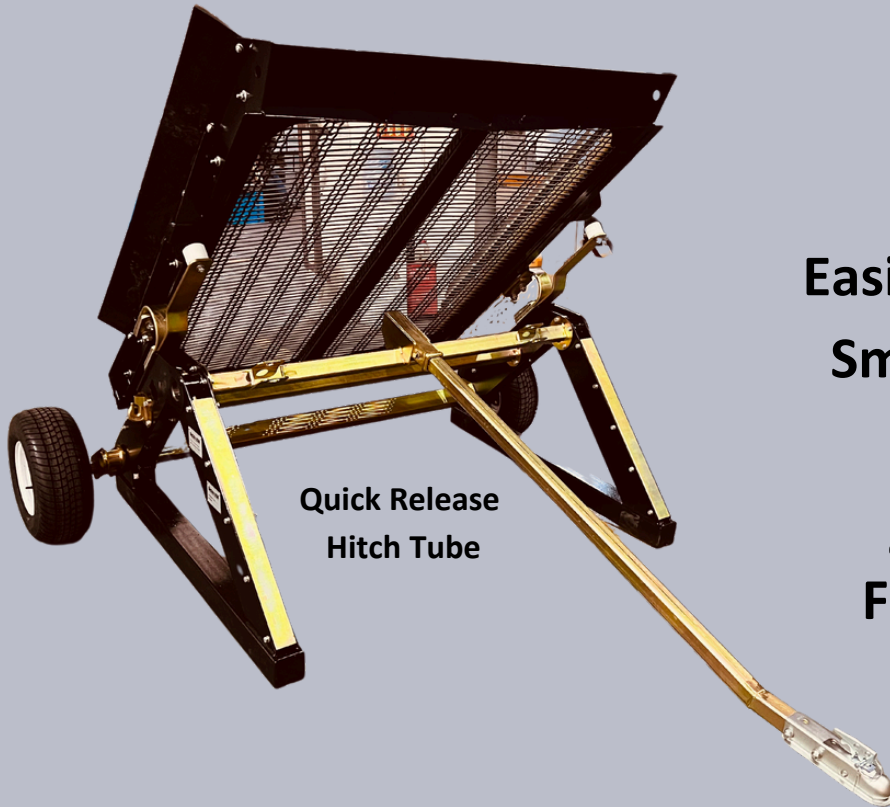


Multiple Mesh
Sizes Available
From
1/8 to 4"



Screen Deck
25 square feet
65" X 55"

Towable Hitch System



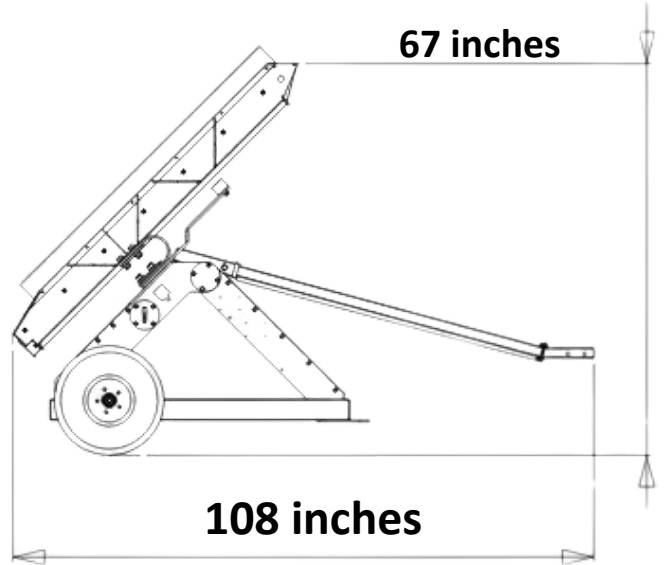
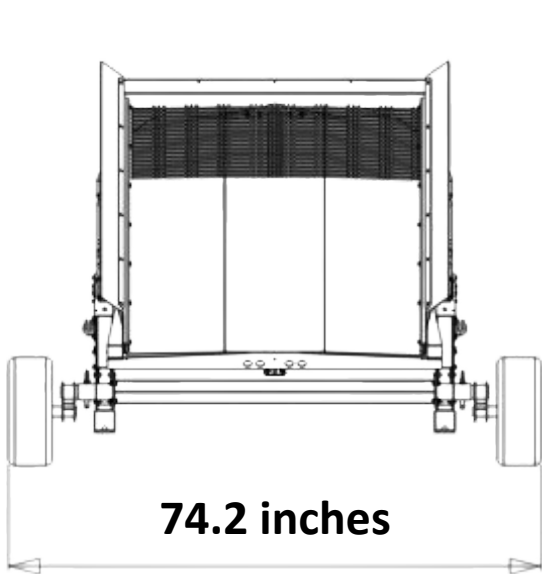
Quick Release
Hitch Tube

Easily Moved With
Small Equipment
With Our
205/65-10
Flotation Tires

Towable Hitch System
designed for machines with
limited lift capacity

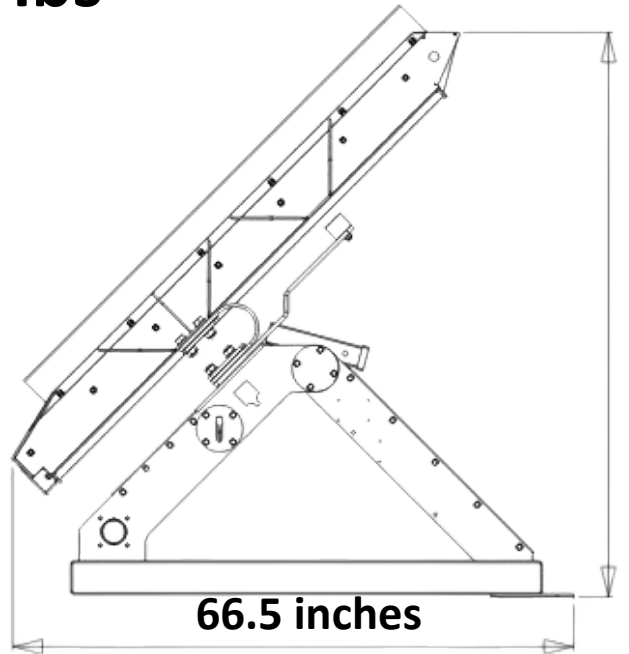
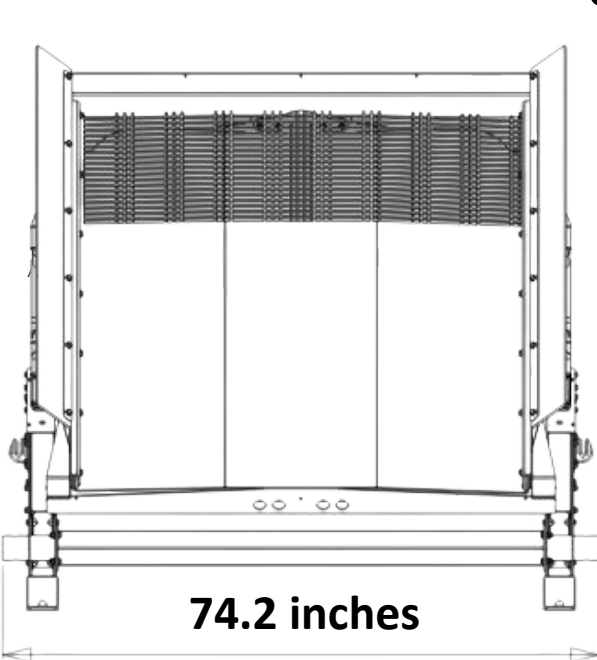


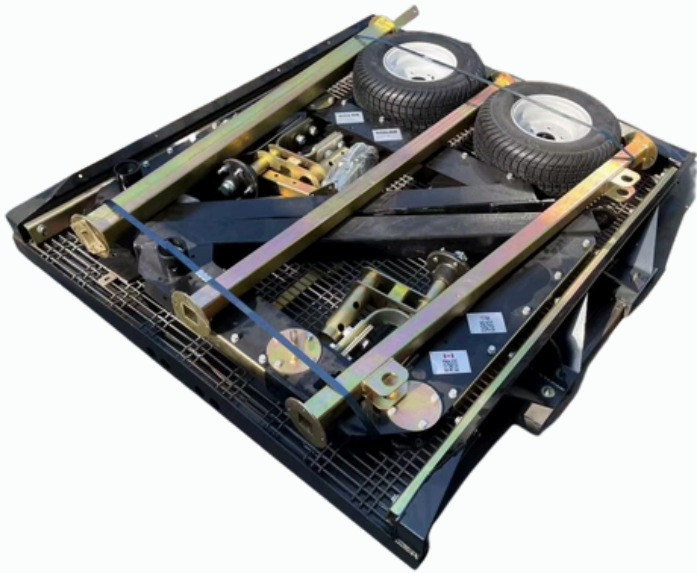
DeSite SLG 48 Mini



With Tow Package

800 lbs





Flat pack for convenient customer shipping

**Ships anywhere in the US
Hawaii and Alaska Excluded**

Only 45 min to assemble.

